

MATERIALS AND FINISHES

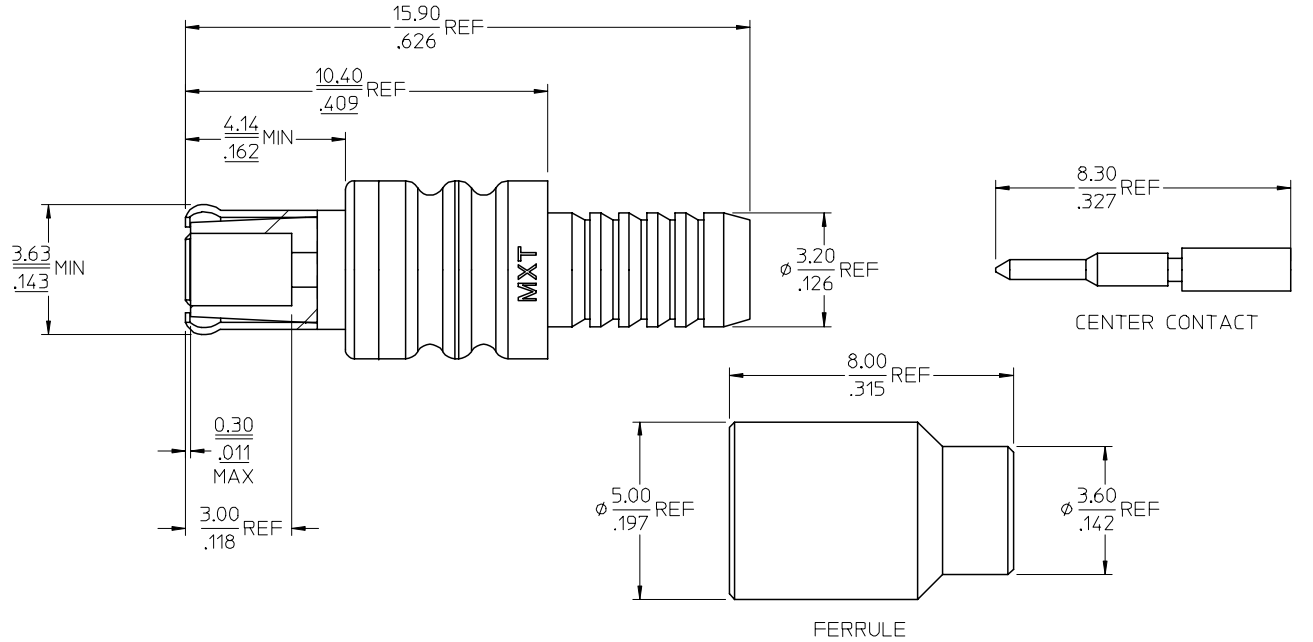
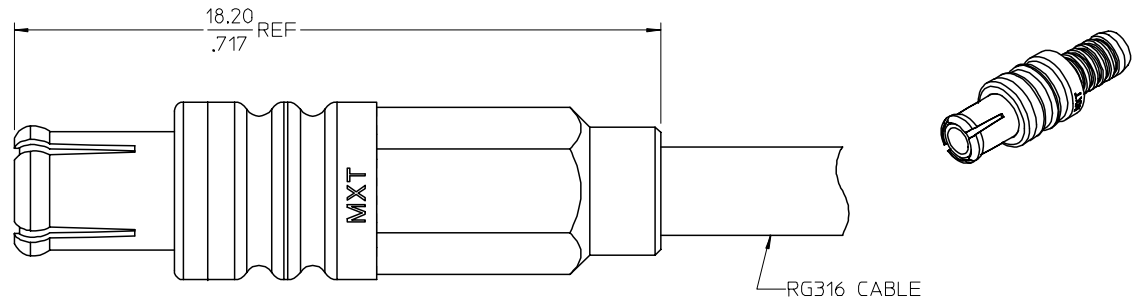
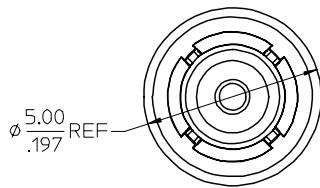
BODY ZINC ALLOY
PLATED SEE TABLE

OUTER CONTACT BERYLLIUM COPPER
PLATED GOLD (10 MICROINCHES MIN)

CENTER CONTACT BRASS
PLATED GOLD (10 MICROINCHES MIN)

INSULATOR TEFLON

FERRULE BRASS
PLATED SEE TABLE



PART # SEE TABLE

| | |
|------------|-----------------------------|
| 73366-0301 | GOLD (1 MICROINCHES MIN) |
| 73366-0300 | NICKEL (70 MICROINCHES MIN) |
| PART NO. | PLATING |

AS-73392-0060 CABLE ASSEMBLY INSTR.

SPECIFICATION DESCRIPTION

UNLESS OTHERWISE SPECIFIED DIMS ARE MILLIMETERS AND ANGLES ARE DEGREES.

- ALL OVER.
- NO CHATTER OR NON-UNIFORM SURFACE FINISH ALLOWED.
- PARTS TO BE FREE OF BURRS & SHARP EDGES 0.13(005) MAX BREAK.
- EXTERNAL THREADS TO BE ROLLED OR SINGLE POINT.
- DIAMETERS TO BE CONCENTRIC WITHIN 0.08(003) TIR.

CHG: LOADED INTO WORKMANAGER
REDREW IN SD
CHANGED ALL DIMS FROM IN/MM TO MM/IN
ADDED CABLED AND ISO VIEWS
ADDED PLATING THICKNESSES
REMOVED SHEET 2
ADDED PLATING TABLE
ADDED AS-73392-0060
FC NO: URF2005-0227
DRAWN: FLAHERTY 2004/12/02
CHKD: SSHAH 2004/12/02
APPR: JMLENER 2004/12/02

QUALITY SYMBOLS
DESCRIPTION
REV A1

GENERAL TOLERANCES (UNLESS SPECIFIED)

| | mm | INCH |
|----------|--------|---------|
| 4 PLACES | ± .005 | ± .0005 |
| 3 PLACES | ± .003 | ± .0003 |
| 2 PLACES | ± .002 | ± .0002 |
| 1 PLACE | ± .001 | ± .0001 |

ANGULAR ± 2 °

DRAFT WHERE APPLICABLE MUST REMAIN WITHIN DIMENSIONS

DIMENSION STYLE MM/IN

DRAWN BY CLAI RE DATE 2001/04/02

CHECKED BY DATE

APPROVED BY DATE

MATERIAL NO. SEE TABLE

SIZE C

SCALE DESIGN UNITS METRIC

THIRD ANGLE PROJECTION

TITLE MCX PLUG, STR, FOR RG316 50 OHMS, CRIMP/CRIMP EWR-2672 MCX-PC

MOLEX MOLEX INCORPORATED

DOCUMENT NO. SD-73366-030

SHEET NO. 1 OF 1

THIS DRAWING CONTAINS INFORMATION THAT IS PROPRIETARY TO MOLEX INCORPORATED AND SHOULD NOT BE USED WITHOUT WRITTEN PERMISSION